



Part no.	<b>IX2210</b>
Product Name	<b>Wifi antenna monopole 3cm</b>
Feature	2.4 GHz WIFI Peak Gain Max 1.8dBi IP65 Extended operation temperature range RoHS Compliant RP-SMA Male

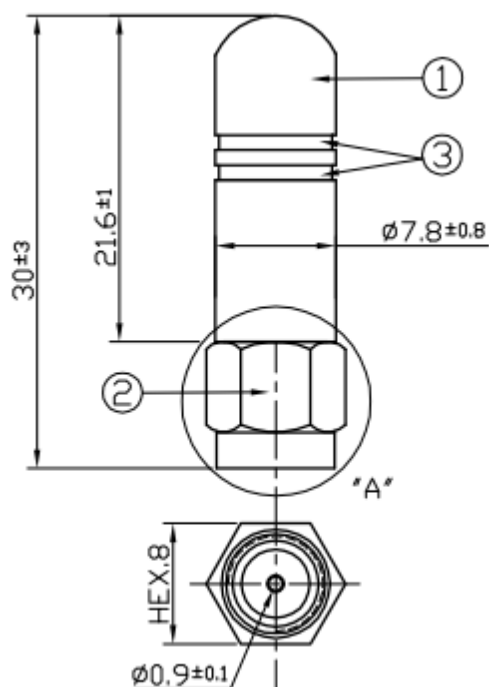
## Electrical

Communication System	Wi-Fi 2.4 GHz
Frequency	2400 – 2500 Mhz
Efficiency	> 40 %
Gain (dBi)	Max 1.8 dBi
Impedance	50 Ω
Polarization	Vertical
Radiation Pattern	Omni-directional

## Environmental

Temperature Range	-40 °C to 85 °C
Storage Temperature	-40 °C to 85 °C
Casing	Non-condensing 65 °C 95% RH

## Mechanical Drawing (unit:mm)



1	Housing	TPEE Black
2	Connector	SMA Male RP (Brass)
3	Colour stripes	Green Acrylic Paint

*IXON makes no warranties based on the accuracy or completeness of the contents of this document and reserves the right to make changes to specifications and product descriptions at any time without notice. IXON reserves all rights to this document and the information contained herein. Reproduction, use or disclosure to third parties without express permission is strictly prohibited. Copyright © IXON B.V.*