



*Cable in picture may differ*



Part no.	<b>IX2205</b>
Product Name	<b>Wide-band 4G/3G/2G antenna Screw Mount with 3m cable</b>
Feature	3 meter low loss cable CFD200 cable SMA(M) Low profile, height just 48 mm and diameter 50 mm Heavy duty screw mount UV and vandal resistant ABS housing and thread IP67 compliant 698 to 960 MHz, 2.4 Ghz and 1710 to 2700 MHz LTE/GSM/CDMA/DCS/PCS/WCDMA/UMTS/HSDPA/ GPRS/EDGE/IMT/WIFI Extended operation temperature range RoHS Compliant

### Electrical

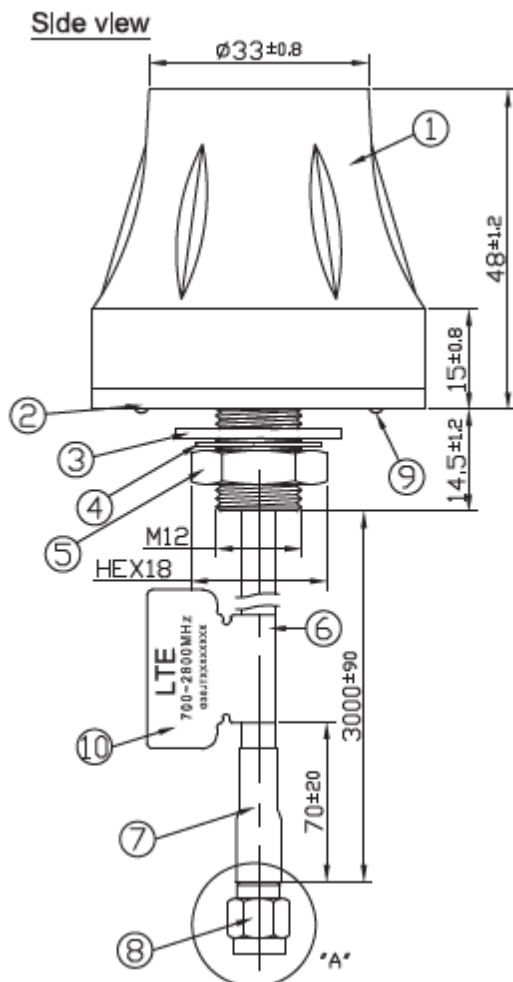
Standard	4G / 3G / 2G / 2.4Ghz			
Frequency	700 – 960 Mhz	1710 – 2170 Mhz	2500 – 2800 Mhz	2400 – 2483 Mhz
Efficiency	40 %	55 %	40 %	38 %
Peak Gain (dBi)	1.2	3.2	2.5	1.5
Impedance	50 Ω			
Polarization	Linear			
Radiation Pattern	Omni-directional			
Input Power	5 W			

\* In free space

### Environmental

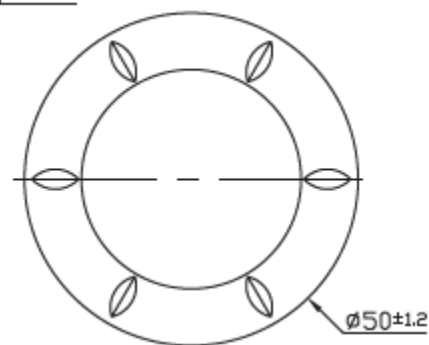
Temperature Range	-40 °C to 85 °C
Storage Temperature	-40 °C to 85 °C
Casing	Non-condensing 65 °C 95% RH

### Mechanical Drawing (unit:mm)



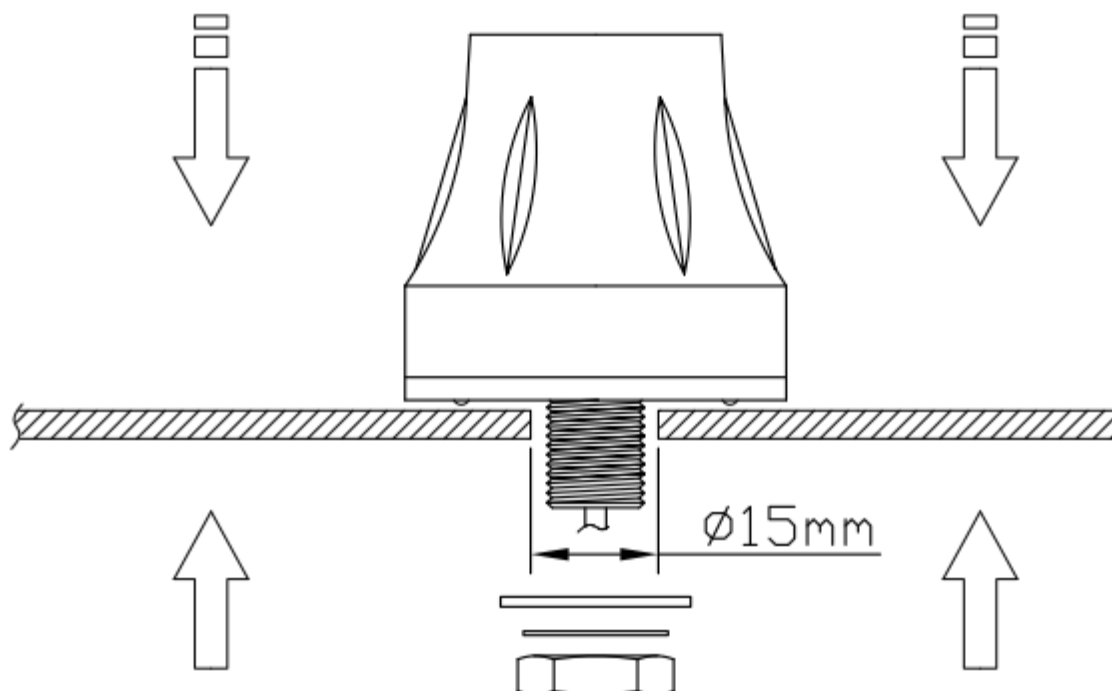
1	Housing Top	ABS Black
2	Housing Bottom	ABS Black
3	Gasket	POM Red
4	Multi Tooth Washer	Iron Zinc
5	Nut M12	Copper Nickel
6	CFD200	PVC Black
7	Heat Shrink Tube	PE Black
8	SMA(M) ST	Brass Gold
9	O-Ring	NBR Black
10	Label	PET White

### Top view



## Mounting Instructions (unit:mm)

---



---

*IXON makes no warranties based on the accuracy or completeness of the contents of this document and reserves the right to make changes to specifications and product descriptions at any time without notice. IXON reserves all rights to this document and the information contained herein. Reproduction, use or disclosure to third parties without express permission is strictly prohibited. Copyright © IXON B.V.*

---