

Part no.	IX2206
Product Name	LTE Magnetic whip antenna with 3m cable
Feature	<p>3 meter low loss cable RG-174 cable SMA(M) Robust High Strength Super Magnet Mount 698 to 960 MHz, 1575.42 Mhz, 1710 to 2700 MHz, 3500 Mhz LTE/GSM/CDMA/DCS/PCS/WCDMA/UMTS/HSDPA/ GPRS/EDGE/GPS/WIFI Extended operation temperature range RoHS Compliant</p>

Electrical

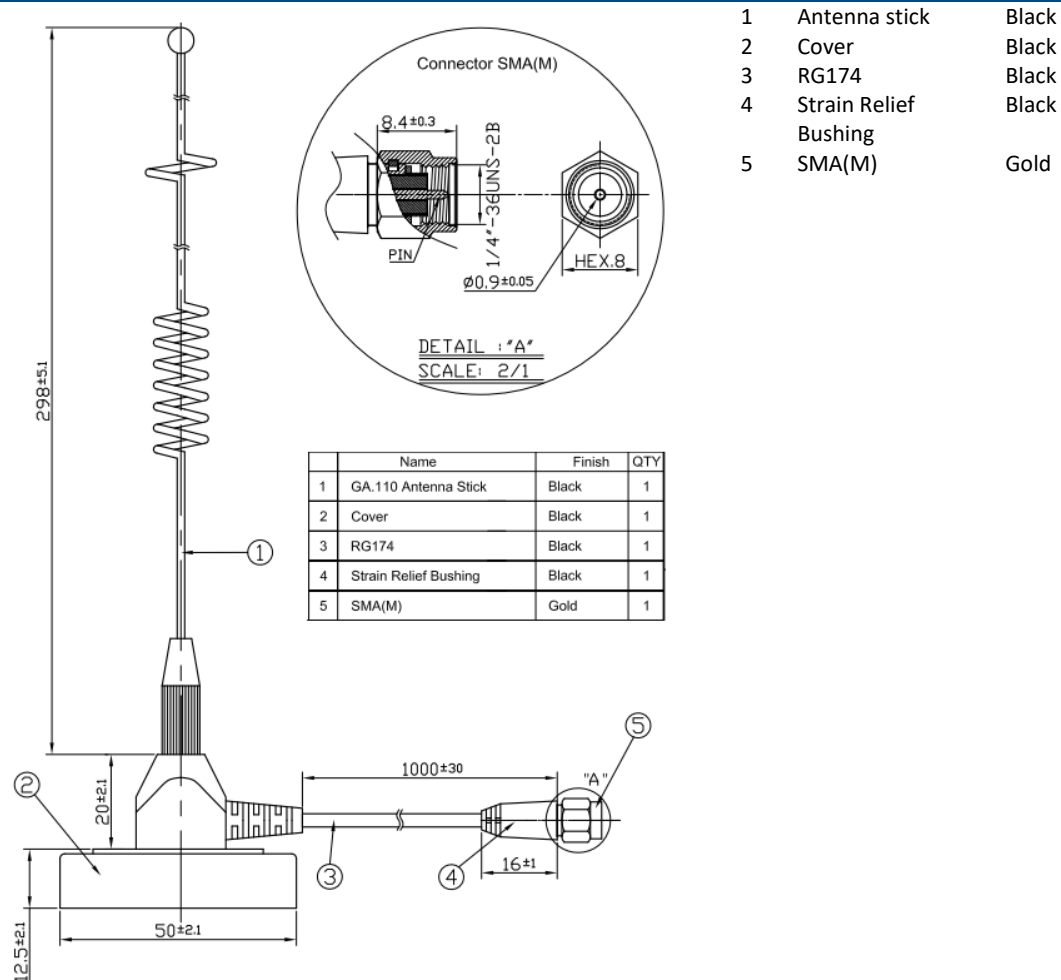
Communication System	LTE	GSM	GPS	DCS	PCS	UMTS	LTE	LTE
Frequency	698-800	824-960	1575.42	1710-1880	1850-1990	1710 - 2170	2400-2700	3500
Efficiency *	33 %	57 %	46 %	55 %	41 %	47 %	37 %	19 %
Peak gain (dBi) *	-2.5	-0.1	-1.3	1.2	0.1	1.2	-0.5	-1.6
Impedance	50 Ω							
Polarization	Linear							
Radiation Pattern	Omni-directional							
Input Power	50 W							

* In free space

Environmental

Temperature Range	-40 °C to 85 °C
Storage Temperature	-40 °C to 85 °C
Casing	Non-condensing 65 °C 95% RH

Mechanical Drawing (unit:mm)



IXON makes no warranties based on the accuracy or completeness of the contents of this document and reserves the right to make changes to specifications and product descriptions at any time without notice. IXON reserves all rights to this document and the information contained herein. Reproduction, use or disclosure to third parties without express permission is strictly prohibited. Copyright © IXON B.V.